



# POLA

CE

## LED Bollard Light

POLA bollard light adopt patented Astra optics technique to cast an wide coverage and everlasting light fixture for outdoor walkway. The unique forward-throw asymmetric light distribution enables deeper and wider illumination on the ground reduce the number of fixture required aside the pathway.

### Product Features

- Patented optics with super wide beam angle distribution
- No glare to pedestrian view sight with low and shield light aperture
- Fully encapsulated light module with IP66 protection, housed by stainless built pole
- Reliable light source powered by efficient electrical driver guarantee the long life span
- Ideal for garden, front porch, park pathway and lake side .

### Applications



Pathway  
Lighting



Park  
Lighting

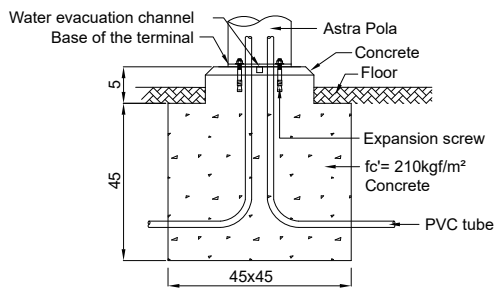
[www.deltaww.com](http://www.deltaww.com)

 **DELTA**  
Smarter. Greener. Together.

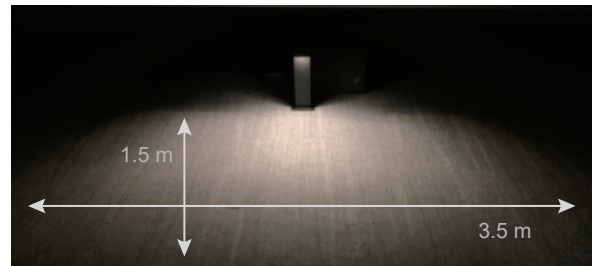
Luminaire	POLA
Lumen Output (lm)	550 lm
LED	CREE XHP35 GEN2
Power (W)	11 W
Input Voltage (V)	110-220 V
Efficacy (lm/W)	50
CRI (Ra)	> 80
CCT (K)	3000 K
Optics	140° (0~180°)
Operating Temp.	-20°C to 40°C
Control	On / Off
Weight (kg)	1.5 kg
Dimension (mm)	157 x 234 x 600 mm
Color	Black



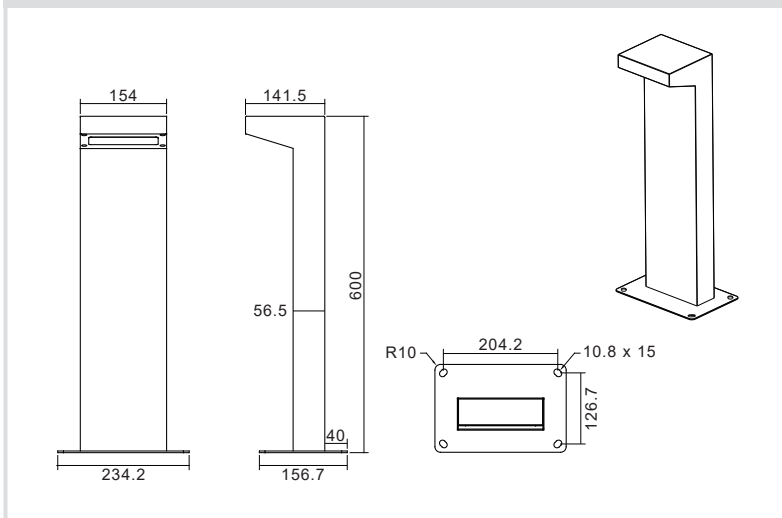
### Installation



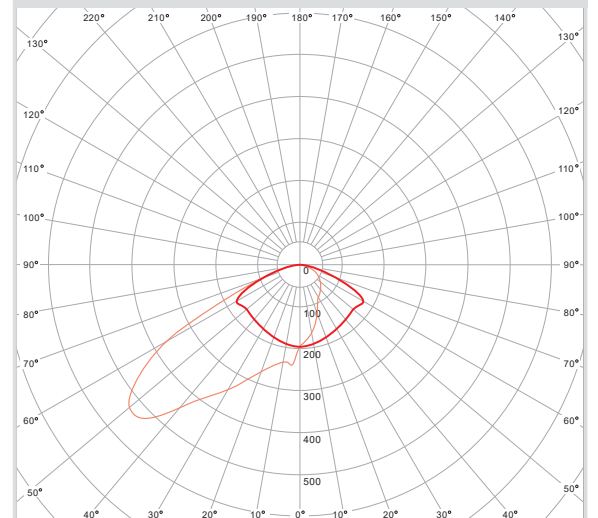
### Light width



### Dimension



### Light Distribution



Specifications are subject to change without notice.

2020/04/21

**Delta Electronics Europe**

Zandsteen 15  
 2132 MZ Hoofddorp, The Netherlands  
 TEL: +31-20-655-0900  
 FAX: +31-20-655-0999

For more product information and sales inquiries, please contact: [sleu@deltaww.com](mailto:sleu@deltaww.com)

[www.delta-emea.com/ledlighting](http://www.delta-emea.com/ledlighting)

